



CARACTERÍSTICAS DO MODELO:

MATERIAL : Chapa acrílica s/ norma EN263 (NF)

ESPECIFICAÇÕES :

- Válvula de descarga $\varnothing 90$ (não incluída)
- Com ou sem Antislip

NORMAS : EN 14527 - CL1 + CL2

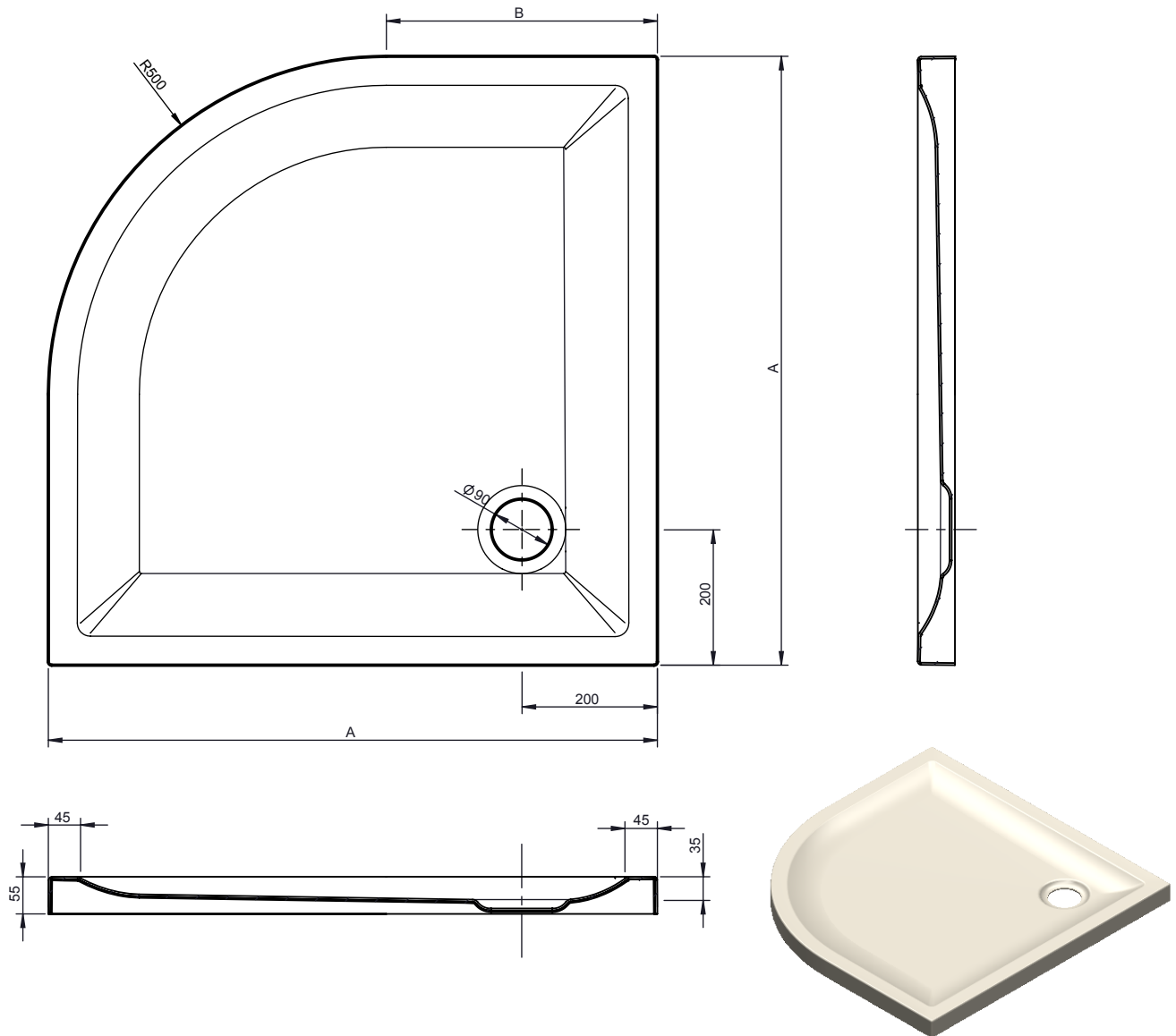
CORES DISPONÍVEIS: Branco / Branco Mate Stone / Preto Mate Stone / Branco Cement


PESO: Consultar tabela

PEÇA:

- DESCRIÇÃO: Base de chuveiro acrílica
- SERIE: VITA-N 800/900/1000
- VERSÃO: Angular
- REF: Consultar tabela

Ficha Informação Técnica



REF.:	DESCRIÇÃO:	A	B	PESO	REF.:	DESCRIÇÃO:	A	B	PESO
S2021190000000	VITA - N ANG. BASE CHUV. 800x800 BRANCO	800	300	5.5 Kg	S20211981600000	VITA - N ANG. BASE CHUV. 800x800 BRANCO CEMENT ANTISLIP	1000	300	5.5 Kg
S20211900071600	VITA - N ANG. BASE CHUV. 800x800 STONE PRETO MATE				S20211881600000	VITA - N ANG. BASE CHUV. 900x900 BRANCO CEMENT ANTISLIP	1200	400	7 Kg
S20211900006400	VITA - N ANG. BASE CHUV. 800x800 STONE BRANCO MATE	900	400	7 Kg	S20211781600000	VITA - N ANG. BASE CHUV. 1000x1000 BRANCO CEMENT ANTISLIP	1400	500	14 Kg
S20211800000000	VITA - N ANG. BASE CHUV. 900x900 BRANCO				 CARACTERÍSTICAS ANTIDERRAPANTES: CLASSE C: S/ NORMA DIN 51097 RESISTÊNCIA AO ESCORREGAMENTO: R11: S/ NORMA DIN 51130				
S20211800071600	VITA - N ANG. BASE CHUV. 900x900 STONE PRETO MATE								
S20211700000000	VITA - N ANG. BASE CHUV. 1000x1000 BRANCO	1000	500	14 Kg					
S20211700071600	VITA - N ANG. BASE CHUV. 1000x1000 STONE PRETO MATE								
S20211700006400	VITA - N ANG. BASE CHUV. 1000x1000 STONE BRANCO MATE								

Dimensões em mm

PRODUTOS ASSOCIADOS:

REF.:	DESCRIÇÃO:
S50210000012600	VÁLVULA DESCARGA $\varnothing 90$ C/ TAMP. CROMADA
S50210000000600	VÁLVULA DESCARGA $\varnothing 90$ C/ TAMP. BRANCA
S50210000071600	VÁLVULA DESCARGA $\varnothing 90$ C/ TAMP. PRETA

Os produtos apresentados seguem especificações técnicas internas da Sanitana S.A. As dimensões são meramente indicativas. Para instalação à medida apenas devem ser consideradas as dimensões retiradas da peça a ser aplicada. Reservamos o direito de fazer alterações técnicas que permitam melhorar a funcionalidade dos nossos produtos sem aviso prévio.

MODEL FEATURES:

MATERIAL: Crosslinked cast acrylic sheet
acc/standard EN263 (NF)

SPECIFICATIONS:

- Uses $\varnothing 90$ mm shower discharge valve (not included)
- With or without Anti-Slip

EUROPEAN STANDARDS: EN14527 - CL1 + CL2

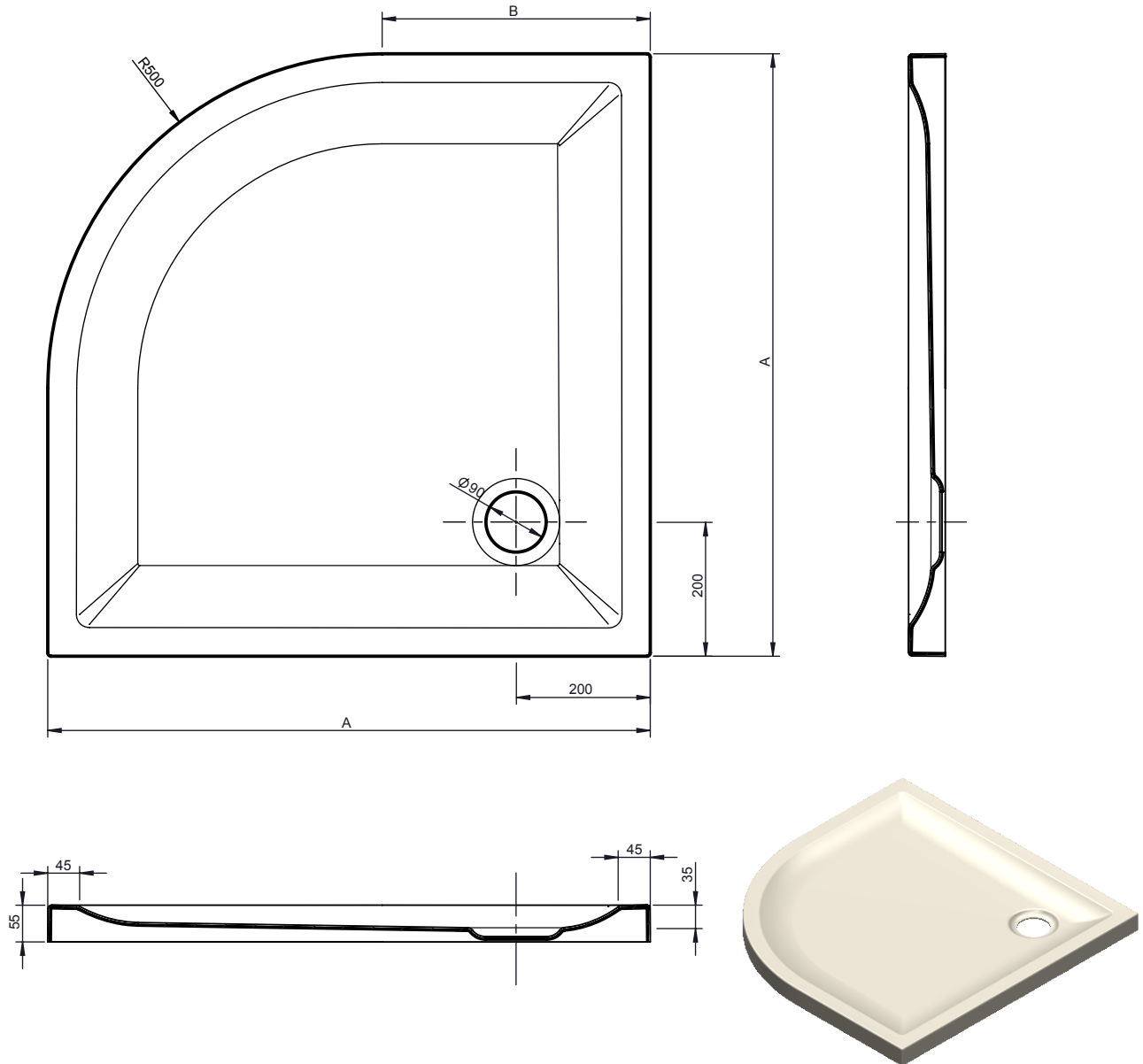
AVAILABLE COLORS: White / Stone Matt White / Stone Matt Black
/ Cement White

WEIGHT: See table

PART:

- DESCRIPTION: Acrylic shower tray
- SERIES: VITA-N 800/900/1000
- VERSION: Angular
- REF: See table

Technical Data Sheet



REF.:	DESCRIPTIONS:	A	B	WEIGHT	REF.:	DESCRIPTIONS:	A	B	WEIGHT
S2021190000000	VITA - N ANG. SHOWER TRAY 800x800 WHITE	800	300	5.5 Kg	S20211981600000	VITA - N ANG. SHOWER TRAY 800x800 CEMENT WHITE ANTI-SLIP	800	300	5.5 Kg
S20211900071600	VITA - N ANG. SHOWER TRAY 800x800 STONE MATT BLACK				S20211881600000	VITA - N ANG. SHOWER TRAY 900x900 CEMENT WHITE ANTI-SLIP	900	400	7 Kg
S2021190006400	VITA - N ANG. SHOWER TRAY 800x800 STONE MATT WHITE	900	400	7 Kg	S20211781600000	VITA - N ANG. SHOWER TRAY 1000x1000 CEMENT WHITE ANTI-SLIP	1000	500	14 Kg
S20211800000000	VITA - N ANG. SHOWER TRAY 900x900 WHITE				S50211700000000	DISCHARGE VALVE $\varnothing 90$ W/ CHROME COVER			
S20211800071600	VITA - N ANG. SHOWER TRAY 900x900 STONE MATT BLACK								
S2021180006400	VITA - N ANG. SHOWER TRAY 900x900 STONE MATT WHITE	1000	500	14 Kg	 ANTI-SLIP PROPERTIES: CLASS C: ACC/ STANDARD DIN 51097 SLIP RESISTANCE: R11: ACC/ STANDARD DIN 51130				
S20211700000000	VITA - N ANG. SHOWER TRAY 1000x1000 WHITE								
S20211700071600	VITA - N ANG. SHOWER TRAY 1000x1000 STONE MATT BLACK								
S2021170006400	VITA - N ANG. SHOWER TRAY 1000x1000 STONE MATT WHITE								

Dimensions in mm

RELATED PRODUCTS:

REF.:	DESCRIPTION:
S50210000012600	DISCHARGE VALVE $\varnothing 90$ W/ CHROME COVER
S5021000000C600	DISCHARGE VALVE $\varnothing 90$ W/ WHITE COVER
S50210000071600	DISCHARGE VALVE $\varnothing 90$ W/ BLACK COVER

The products presented follow technical specifications by Sanitana S.A. Dimensions provided are indicative only. For custom installation, should only be considered the dimensions measured directly on the part to be installed. We reserve the right to make technical changes to improve the functionality of our products without prior notice.