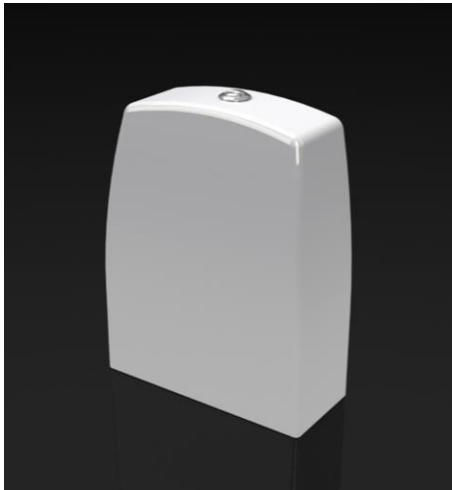


Ceramic cistern **One**

Reference: 40182XX2



Illustrative picture

Specifications:

- Material: Vitreous China
- Color: White (XX=00);
Black (XX=48);
Slate (XX=47)
- Outlet system: Double discharge
- Outlet volume: 3/5L
- Water absorption: <0,05%
- Warranty: 20 years

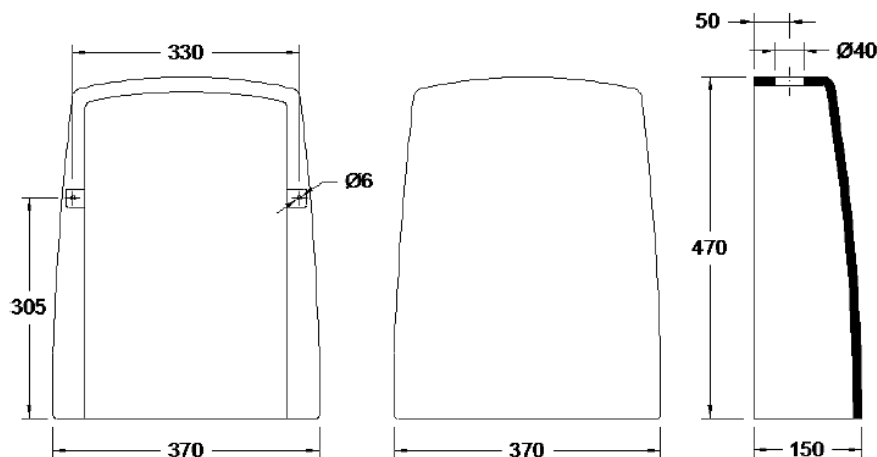
Components / Accessories:

- Ref.: 40051002 Close coupled WC
- Ref.: 50542031 Plastic cistern with double volume bottom inlet mechanism, with water cut system incorporated

Dimensions:

- Length: 370 mm
- Width: 150 mm
- Height: 470 mm
- Weight: 11 kg

| Technical drawing |



Recommendations:

- Avoid dropping objects on the ceramic that could damage the glaze causing irreparable scratches or cracks and damage to the finishing;
- Daily cleaning should be carried out with non-abrasive sanitary cleaning products, the use of cleaning detergents containing chlorine or acid is not recommended;
- Limestone residues can be removed with limestone or weak acid based cleaning agents;
- Clean the parts of the inner mechanism periodically for proper operation of the tap;
- Check the seal and replace if necessary.