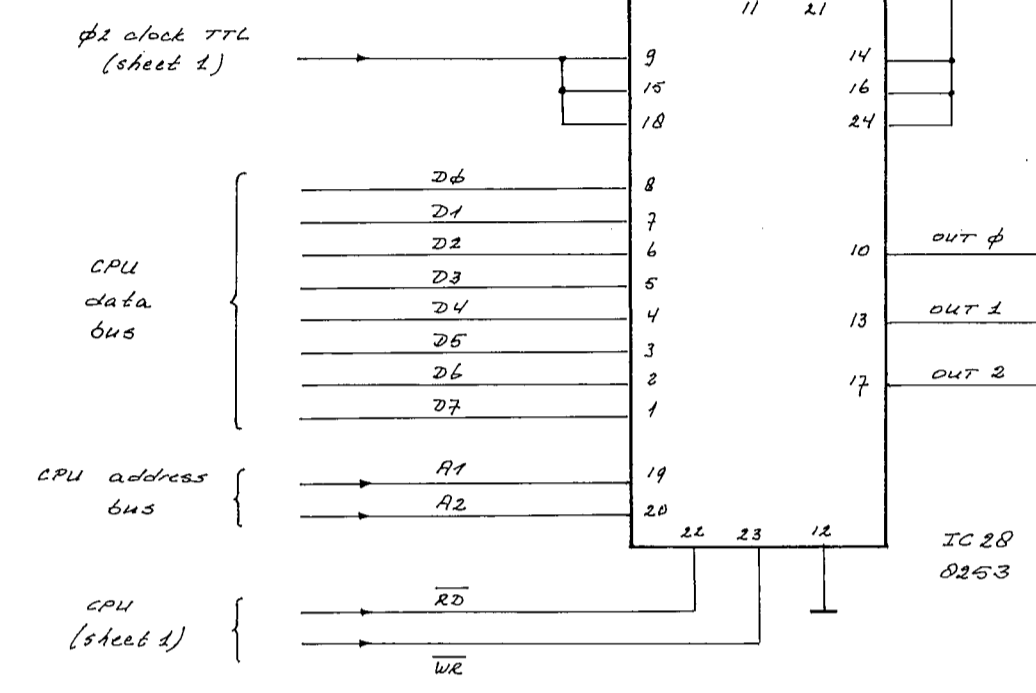
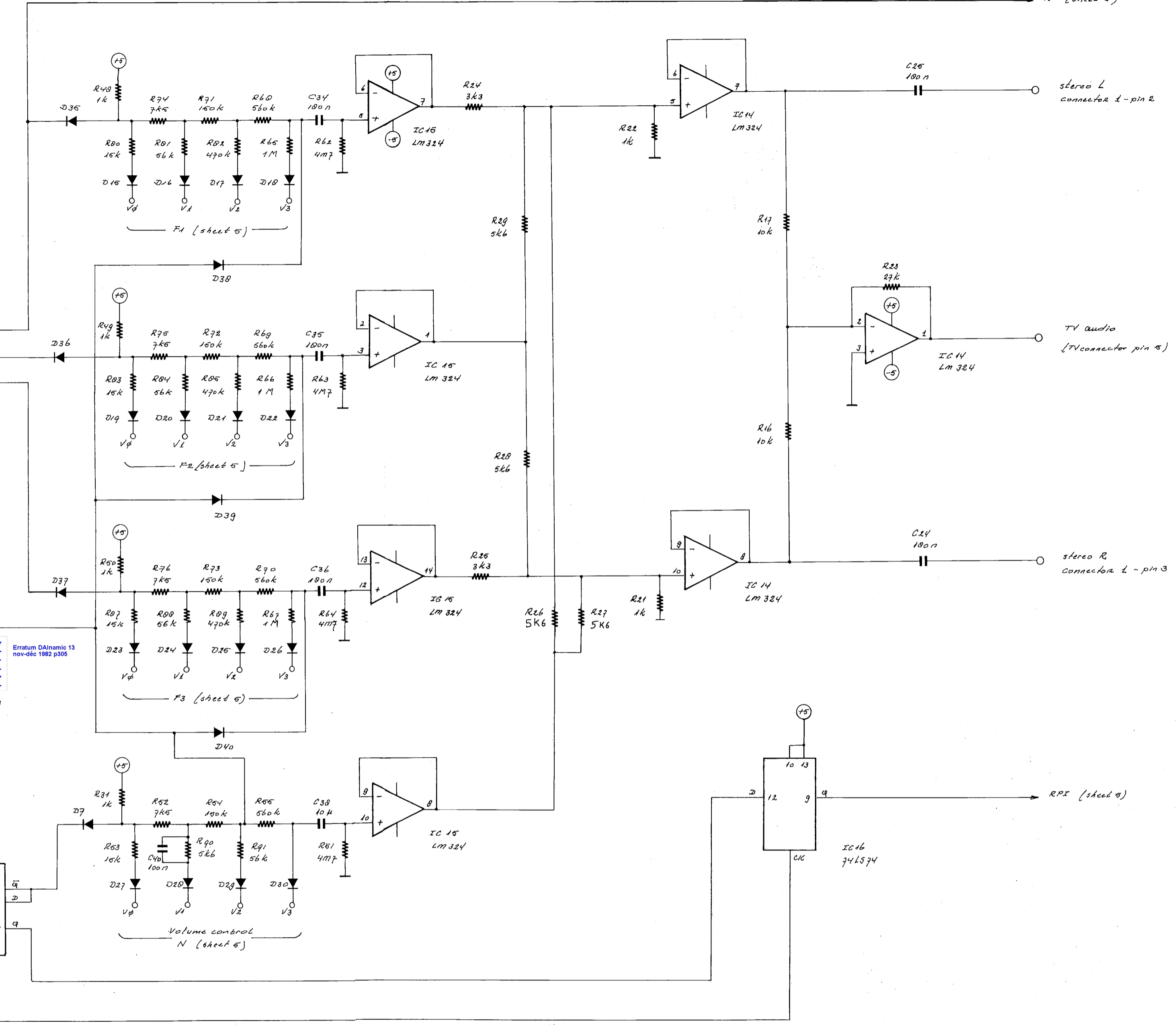


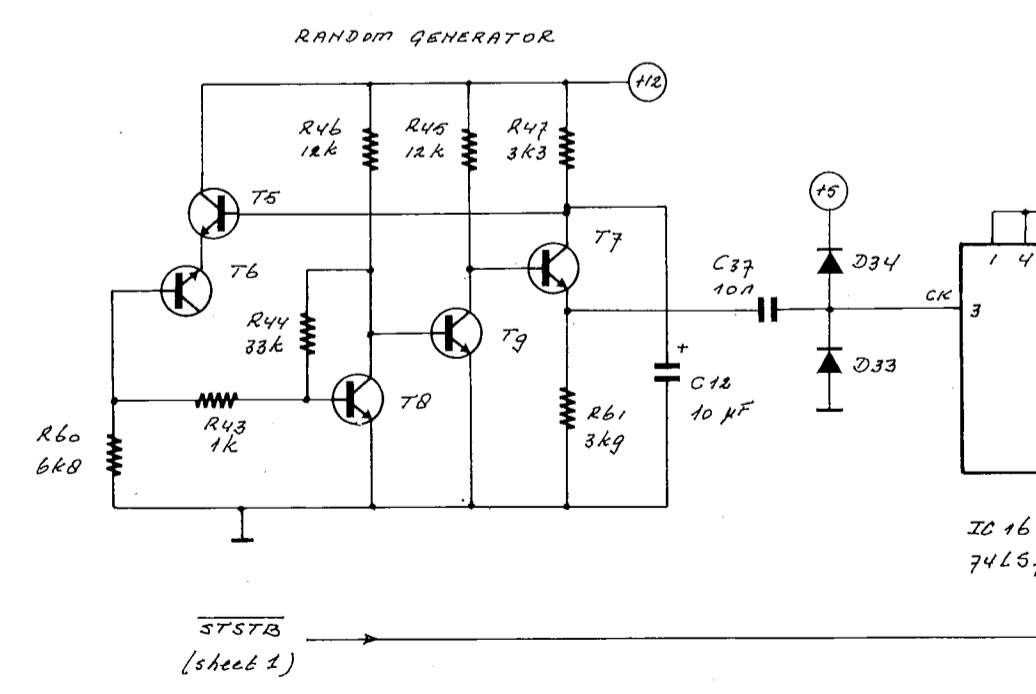
D253 select (sheet 5)
paddle enable (sheet 5)
select of paddle pulse (sheet 5)



T5-T9: 2N3704
all diodes: 1N4148



Erratum DAINAMIC 13
nov-déc 1982 p305



3T57B (sheet 1)